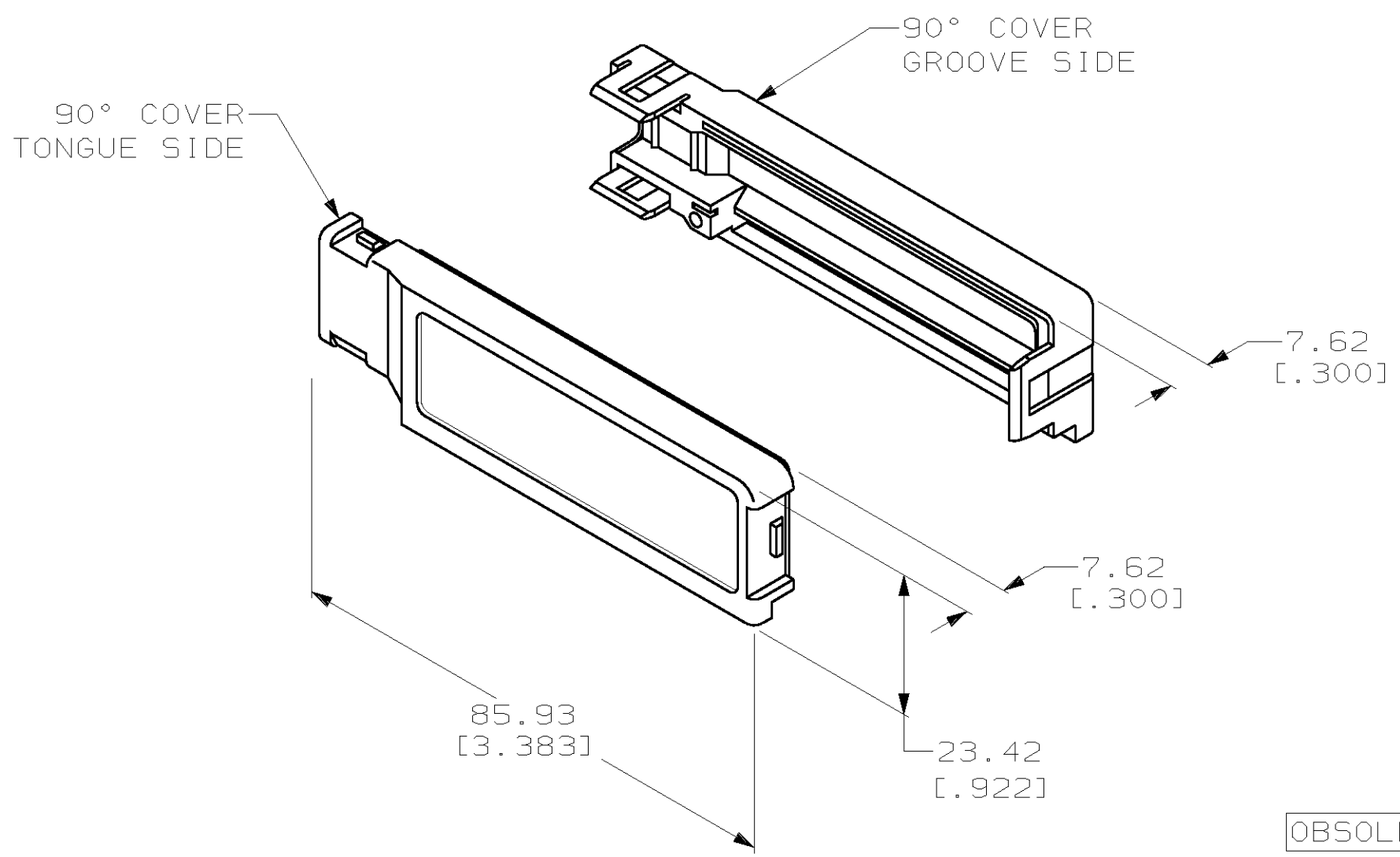


THIS DRAWING IS UNPUBLISHED. RELEASED FOR PUBLICATION ,19 .
 © COPYRIGHT 19 BY AMP INCORPORATED. ALL RIGHTS RESERVED.

| LOC | DIST | REVISIONS | | | |
|-----|------|-------------|------------------------------------|---------|-------|
| P | LTR | DESCRIPTION | DATE | DWN | APVD |
| AA | 20 | K | OBSOLETE: -5, -15; EC 0515-0318-02 | 21JAN03 | DD RM |



1. DIMENSIONS SHOWN ARE FOR REFERENCE ONLY UNLESS OTHERWISE SPECIFIED.
2. COVERS SHIPPED NOT ASSEMBLED.
3. 100 KITS BULK PACKED.

| | | | |
|----------|--------|----------------------|-------------|
| OBSOLETE | ALMOND | 8.00 - 10.54 | 1-552011-5 |
| | BLACK | [.315 - .415] | 1-552011-1 |
| OBSOLETE | ALMOND | 10.54 - 11.81 | 552011-5 |
| | BLACK | [.415 - .465] | 552011-1 |
| | COLOR | CABLE RANGE DIAMETER | PART NUMBER |

| | | | |
|---|-------------|---------------------------|--|
| THIS DRAWING IS A CONTROLLED DOCUMENT FOR AMP INCORPORATED. IT IS SUBJECT TO CHANGE AND THE CONTROLLING ENGINEERING ORGANIZATION SHOULD BE CONTACTED FOR THE LATEST REVISION. | | DWN DL DRUMMOND 22 APR 96 | AMP AMP Incorporated Harrisburg, PA 17105-3608 |
| DIMENSIONS: mm [INCHES] | | CHK D. AHERON 09 MAY 96 | |
| TOLERANCES UNLESS OTHERWISE SPECIFIED: 0 PLC ±- 1 PLC ±- 2 PLC ±- 3 PLC ±- 4 PLC ±- ANGLES ±- | | APVD M. HUGHES 09 MAY 96 | NAME COVER KIT, 90 DEGREE, 50 POSITION, CHAMP® |
| MATERIAL POLYPHENYLENE OXIDE | FINISH - | PRODUCT SPEC - | APPLICATION SPEC - |
| | | WEIGHT - | SIZE A3 |
| | | CUSTOMER DRAWING | CAGE CODE 00779 |
| | | | DRAWING NO C-552011 |
| | | | SCALE 1:1 |
| | | | SHEET 1 OF 1 |
| | | | REV K |